

Quick Installation Guide

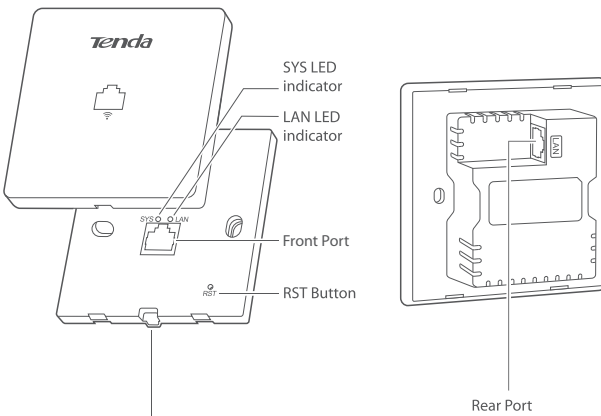
AC1200 Gigabit In-Wall Access Point W12

Package contents

- AP x 1
- Screw (PM4 * 30 mm) x 2
- Quick installation guide x 1

This guide only describes how to install the AP and modify the WiFi name and password of the AP. For more configurations, refer to the user guides of target products. Please go to www.tendacn.com to download user guides.

AP appearance



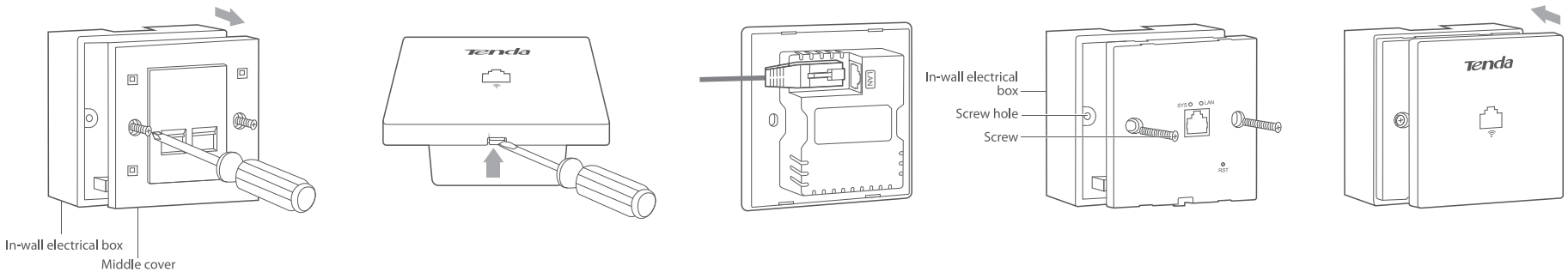
Remove the front cover of the AP:
 - Hold the body of the AP and front cover with both hands and separate them directly.
 - Pry this point with a flathead screwdriver.

SYS LED indicator (Green)	Solid on: The system is starting up.
	Blinking: The system is running properly.
	Off: The AP is not powered on.
LAN LED indicator (Blue)	Solid on: The front port is connected, but no data is transmitted.
	Blinking: Data is being transmitted over the front port.
	Off: The front port is disconnected.
RST Button	When the SYS LED indicator blinks green, hold this button down for about 8 seconds, then release it. The AP will reset and restart.
Front Port	10/100/1000 Mbps auto-negotiation port. It is used to connect user devices such as IPTV set-top boxes, IPTVs and computers.
Rear Port	10/100/1000 Mbps auto-negotiation port for both PoE power supply and data transmission. It is generally connected to an upstream PoE switch compliant with IEEE 802.3af.

1. Install the AP into an in-wall electrical box

- Tips: Before installation, please:
- 1) Record the MAC address (beneath the front cover) and installation position of the AP, so that you can easily locate the desired AP by its MAC address.
 - 2) Ensure that an Ethernet cable has been deployed in the in-wall electrical box; prepare a Phillips screwdriver and a flathead screwdriver.

- 1 Remove the middle cover of an 86 mm x 86 mm in-wall electrical box.
- 2 Remove the front cover of the AP (For example: remove it with a flathead screwdriver.)
- 3 Terminate the Ethernet cable in the in-wall electrical box to a RJ45 connector, then connect it to the port of the AP on the back panel.
- 4 Point the screw hole of the AP at that of the in-wall electrical box and fix the AP with the screws in the package.
- 5 Fix the front cover of the AP as shown in the following figure. The installation is completed.



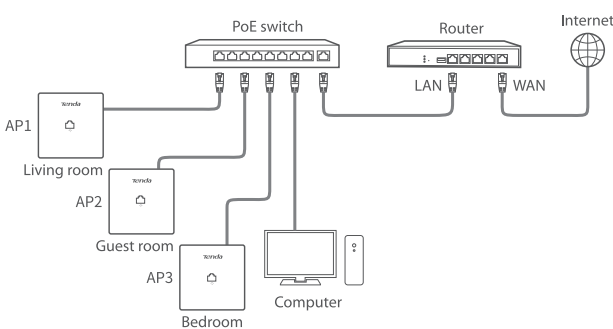
2. Connect and configure the AP

Perform the corresponding configuration procedures according to your scenario.

Scenario 1: At home

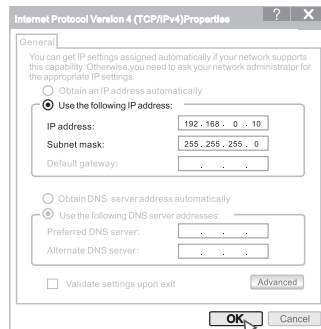
1 Connect devices

Connect your devices by referring to the following figure. In the figure, the rear port of the AP is connected to a PoE port of the PoE switch using the Ethernet cable in the in-wall electrical box while the computer is connected to the PoE switch using an Ethernet cable. After the connection, ensure that the LED indicator of the AP blinks green and the network icon at the lower right corner of the computer desktop does not display a cross.



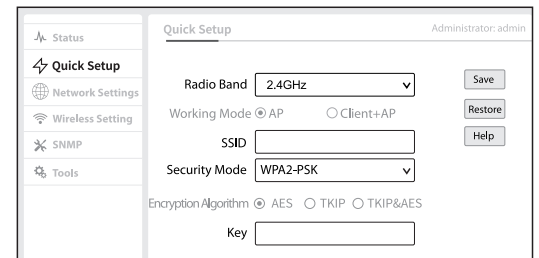
2 Configure the IP address of the computer

(Take Windows 10 as an example) On the computer desktop, click **Start** > **Settings** > **Change adapter options**. Right-click **Ethernet**, click **Properties**, and double-click **Internet Protocol Version 4 (TCP/IPv4)**. Choose **Use the following IP address**, set **IP address** to **192.168.0.X** (X ranges from 2 to 253 and is not occupied by other devices) and **Subnet mask** to **255.255.255.0**, and save the configurations.



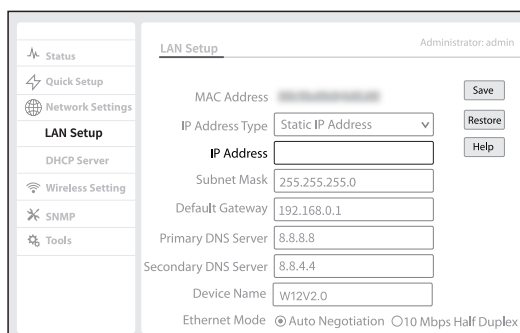
3 Log in to and configure the AP

Start a web browser on your computer and visit **192.168.0.254** to log in to the web UI of the AP. On the **Quick Setup** page, set the **SSID**, **Security Mode** (**WPA2-PSK** is recommended), and **Key** for both the 2.4GHz and 5GHz WiFi networks, and save the configurations.



Tips: If you fail to log in to the web UI of the AP, please refer to **Q2** in **FAQ**.

To avoid IP address conflict caused by multiple sets of connected APs, choose **Network Settings > LAN Setup** and set the IP address of the AP to **192.168.0.X** (X ranges from 2 to 253 and is not occupied by other devices).



Repeat Step 3 to configure other APs.

Done. You can access the internet now either by connecting to the WiFi networks or to the front port of the AP. WiFi Names: The **SSIDs** you set WiFi Passwords: The **Keys** you set

FAQ

Q1: What should I do if the SYS LED indicator of the AP does not light up?

- Try the following solutions:
- Check whether the rear port of the AP has connected to a PoE port of a PoE switch compliant with IEEE 802.3af.
 - Check whether the Ethernet cable used to connect the AP and the PoE switch is 8-core.
 - Check whether the Ethernet cable is damaged.

Q2: What should I do if I fail to log in to the web UI of the AP at my first time of using it?

- Try the following solutions:
- Check whether the Ethernet cable is connected correctly and there is no damage or loosening (The LED indicator of the target port is proper).
 - Check whether the IP address of your computer is 192.168.0.X (X ranges from 2 to 253 and is not occupied by other devices).
 - Check whether there are other devices in the LAN also with the IP address of 192.168.0.254.
 - Reset the AP and try to log in again.

Q3: How to reset the AP?

When the SYS LED indicator blinks green, remove the cover, hold the RST button down with a paper clip for about 8 seconds and release it when the LED indicator lights solid green. When the LED indicator blinks green again, the AP is reset successfully.

For EU/EFTA, this product can be used in the following countries:

BE	BG	CZ	DK	DE	EE	IE	EL	ES	FR
HR	IT	CY	LV	LT	LU	HU	MT	NL	AT
PL	PT	RO	SI	SK	FI	SE	UK		

Operating Temperature: -10°C - 45°C
 Operating Humidity: (10% - 90%) RH, non-condensing

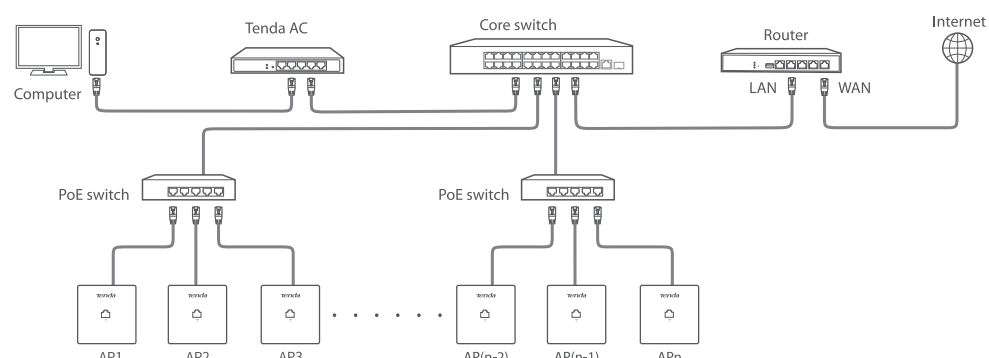
Scenario 2: In a hotel

In view of the complicated management of the large numbers of installed APs in the hotel, it is recommended that you deploy a Tenda AP Controller (AC) in the network to centrally manage all APs.

1 Connect devices

The rear port of the AP is connected to a PoE port of the PoE switch by the Ethernet cable in the in-wall electrical box.

Refer to the following figure for connections of other devices.



2 Configure the AP

Connect the computer to the AC by the Ethernet cable and log in to the AC Web UI page to configure APs in batches.

For details, refer to the user guides of ACs of the target models.



CE Mark Warning

This is a Class B product. In a domestic environment, this product may cause radio interference, in which case the user may be required to take adequate measures.

Operations in the 5.15-5.25GHz band are restricted to indoor use only.

This equipment should be installed and operated with minimum distance 20cm between the device and your body.

NOTE: (1) The manufacturer is not responsible for any radio or TV interference caused by unauthorized modifications to this equipment. (2) To avoid unnecessary radiation interference, it is recommended to use a shielded RJ45 cable.

Declaration of Conformity

Hereby, SHENZHEN TENDA TECHNOLOGY CO., LTD. declares that the radio equipment type W12 is in compliance with Directive 2014/53/EU. The full text of the EU declaration of conformity is available at the following internet address: <http://www.tendacn.com/en/service/download-cata-101.html>

Technical Support

Shenzhen Tenda Technology Co., Ltd.
 6-8 Floor, Tower E3, NO.1001, Zhongshanyuan Road, Nanshan District, Shenzhen, China. 518052

USA hotline: 1-800-570-5892
 Toll Free: 7 x 24 hours
 Canada hotline: 1-888-998-8966
 Toll Free: Mon - Fri 9 am - 6 pm PST
 Hong Kong hotline: 00852-81931998
 Global hotline: +86 755-2765 7180 (China Time Zone)
 Website: www.tendacn.com
 E-mail: support@tenda.com.cn

Copyright

© 2020 Shenzhen Tenda Technology Co., Ltd. All rights reserved. **Tenda** is a registered trademark legally held by Shenzhen Tenda Technology Co., Ltd. Other brand and product names mentioned herein are trademarks or registered trademarks of their respective holders. Specifications are subject to change without notice.

Operating Frequency:
 2.4 GHz: EU/2400-2483.5MHz (CH1-CH13)
 5 GHz: EU/5150-5250MHz (CH36-CH48)
 EIRP Power (Max.):
 2.4 GHz < 20dBm
 5 GHz < 23dBm
 Software Version: V1.0.0.1



RECYCLING

This product bears the selective sorting symbol for Waste electrical and electronic equipment (WEEE). This means that this product must be handled pursuant to European directive 2012/19/EU in order to be recycled or dismantled to minimize its impact on the environment. User has the choice to give his product to a competent recycling organization or to the retailer when he buys a new electrical or electronic equipment.